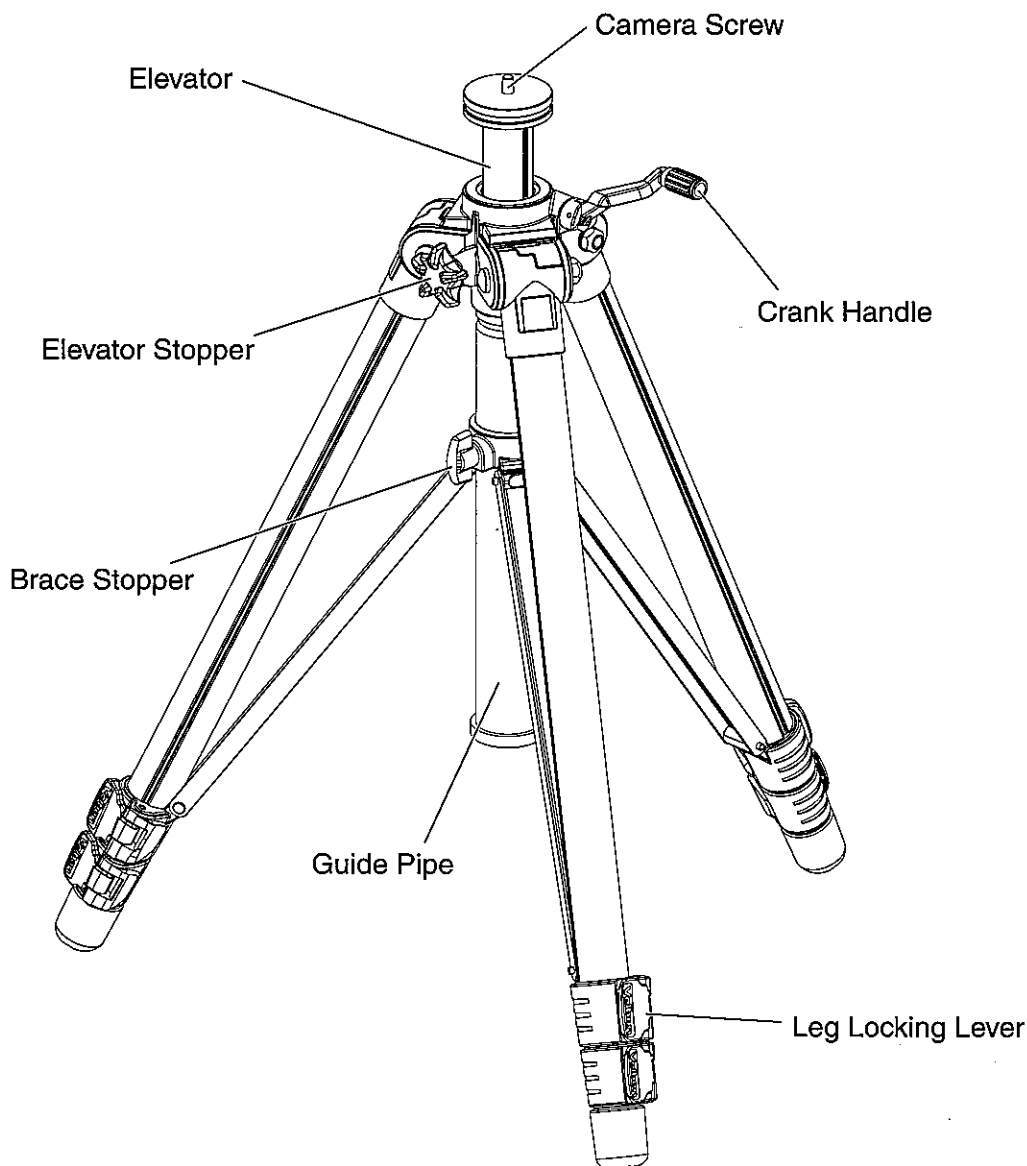


INDIVIDUAL PART NAME

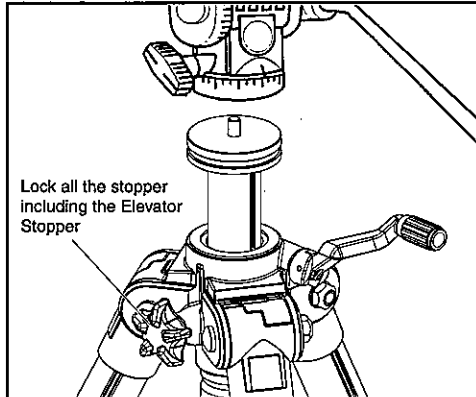
Thank you for purchasing Velbon tripod.
Please read operating manual carefully before you start to use.



Specifications	DV-7000N(A)
Full.Extend	1,253mm(49.33in.)
EV slide	230mm(9.06in.)
Folded Length	575mm(22.64in.)
Diameter of pipe	29/26/23mm(1.14/1.02/0.91in.)
Section	3
Weight	2,160g(4.76lbs.)
Suggested Loading Weight	3,000g(6.61lbs.)

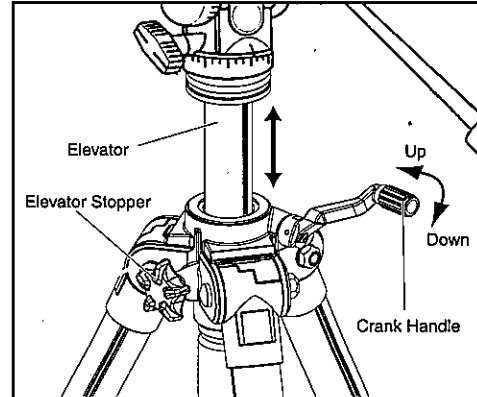
※Above numbers are based on the drawing drafts. Actual sizes may be slightly changed due to the constructive condition.
※Specifications and design are subject to change without notice for any reasons to improve.

1. How to change the Head



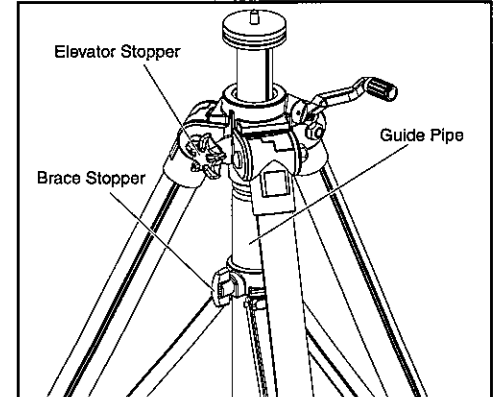
In order to remove the Head to change, lock all the stoppers on the Head and The Tripod. Then turn the whole unit of the Head toward anti-clockwise direction as the arrow showing. The tripod screw is 1/4 inch. So please choose the Head having the 1/4 inch screw at the bottom of the head.

2. Up and Down the Elevator



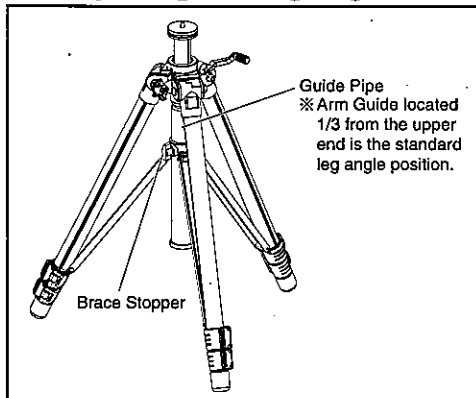
Rotating the Crank Handle for Up and Down the Elevator after unlocking the Elevator Stopper. Locking the Elevator Stopper tighten when reaching the desired height. (*Holding your camera or lens while moving the Elevator)

3. Adjusting the tension of the Elevator



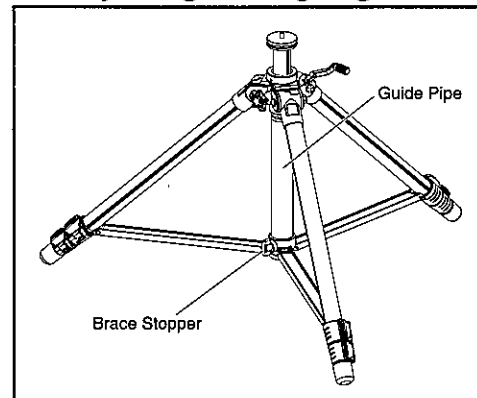
Brace Stopper is to adjust the friction of the Elevator to loosen or tighten. (* Do not attempt to loosen the friction)

4-1. Adjusting the Leg angle



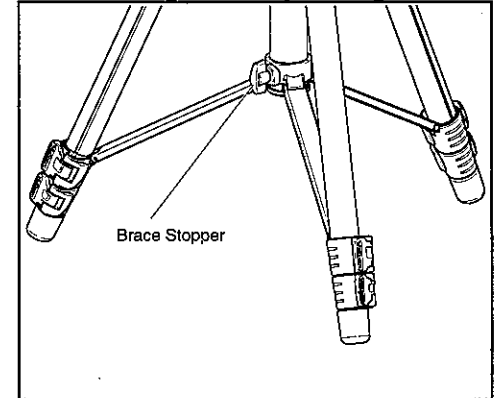
Loosen the Brace Stopper to open the Leg angle. The standard Leg angle located at 1/3 from the upper end of the Guide Pipe.

4-2. Adjusting the Leg angle



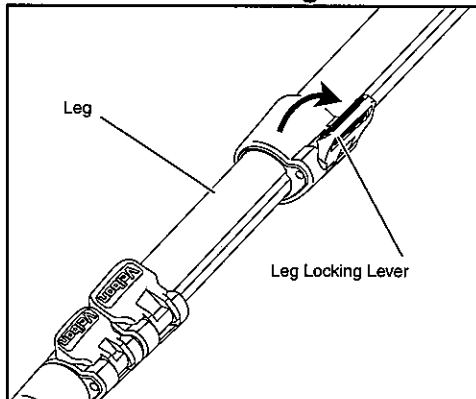
Lower the Brace Stopper at the end of the Guide Pipe, Semi Low position is available for the tripod.

5. Fix of angles of open-legs



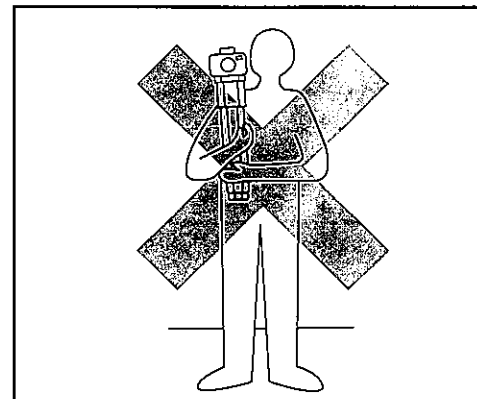
When opening legs, loosen Brace Stopper and open legs to the maximum. Secondly, tighten Brace Stopper in order to fix the angle of open-legs. If the place does not allow to open legs, do not try to use the tripod. The tripod may fall.

6. Extension of the Legs



Flip up the Leg Locking Lever by the thumb of the right hand. Then extending or folding the leg to the desired length, then Locking the Lever tighten firmly. Use upper Leg section when using in the middle way of the whole length. Upper Legs have thick...

5. Caution



While moving to the next place after taking pictures, please detach your camera from the tripod to prevent from dropping off and cause any damages.