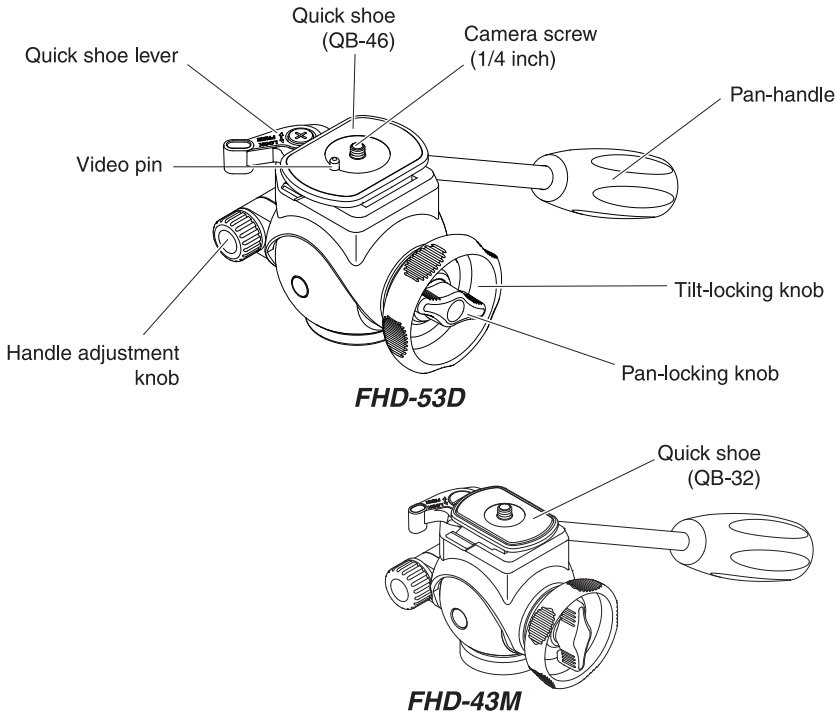


Identification of main parts

Thank you very much for choosing Velbon head. Please carefully read this manual before starting use so that you can handle this product correctly.



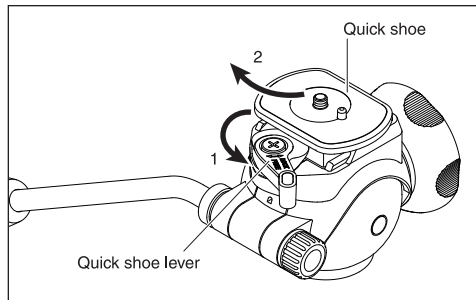
※ The manufacturer reserves the right to change specification, design, and size without prior notice.

Specifications

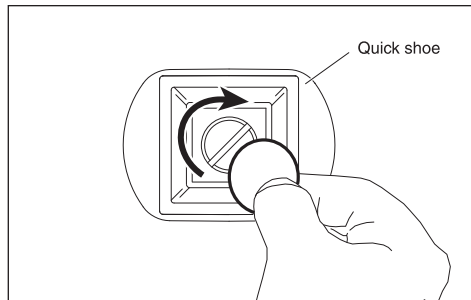
	FHD-53D
Camera Plate size	58x40mm(2.28x1.57in.)
Height	84mm(3.31in.)
Diameter of Pedestal	44mm(1.73in)
Weight	495g(1.09lbs.)
Suggested loading weight	2500g(5.51lbs.)
Screw size to tripod	UNC1/4
Quick shoe	QB-46

	FHD-43M
Camera Plate size	43x27mm(1.69x1.06in.)
Height	75mm(2.95in.)
Diameter of Pedestal	38mm(1.50in.)
Weight	285g(0.63lbs.)
Suggested loading weight	1500g(3.31lbs.)
Screw size to tripod	UNC1/4
Quick shoe	QB-32

How to attach your camera

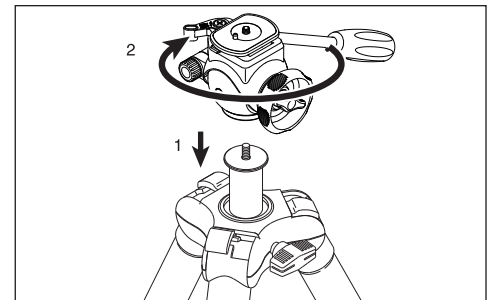


Turn the Quick shoe lever(1) until you feel a click releasing the standby pin and then remove the Quick shoe(2).



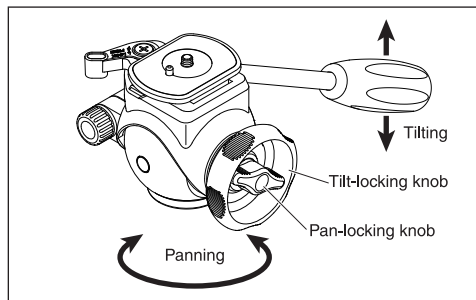
Align the Quick shoe to the bottom of your camera's tripod socket and then, tighten the screw clockwise by a coin until secure. The spring-loaded Video pin should be aligned with in the second hole in the Video camcorder base. The Video pin is retractable, so it also allows attachment of a camera having just one screw socket without problem.

How to attach to a tripod



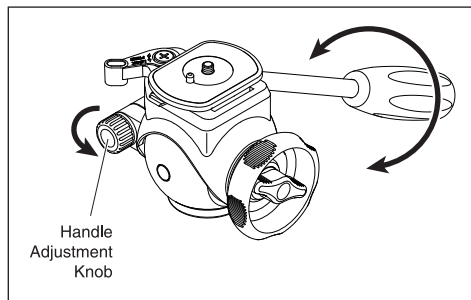
The bottom screw socket of the Fluid head FHD-53D/FHD-43M is aligned with the tripod screw and should be tightened by rotating clockwise. Please ensure that the Head is fixed firmly onto the tripod before attaching your camera or other equipment.

How to use this Fluid head

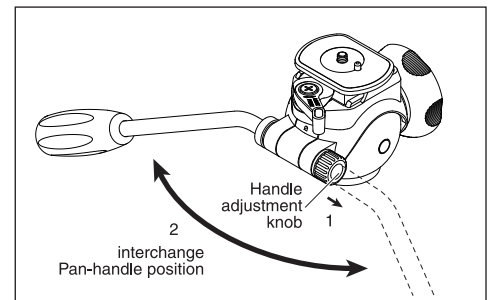


Loosening Pan-locking knob by turning it anti-clockwise enables fluid head to rotate from side to side. Loosening Tilt-locking knob by turning it anti-clockwise enables position of the camera to go up and down. Determine framing and tighten all the locking knobs.

How to change angle of the Pan-handle



Loosen the Handle adjustment knob, the angle of the Pan-handle can then be changed. Select the desired angle of the Pan-handle and set it with the Handle adjustment knob.



If you totally unscrew the Handle adjustment knob(1), the Pan-handle can be pulled out and inserted from the opposite direction(2). When inserted in the desired position, please fix tightly with the Handle adjustment knob.

- Do not force the Pan-handle while the Pan/Tilt-locking knob is locked or it may cause functional problems
- Do not over-loosen the Tilt-locking knob or it may cause the Pan-locking knob inside to become jammed.