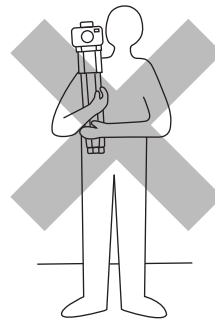
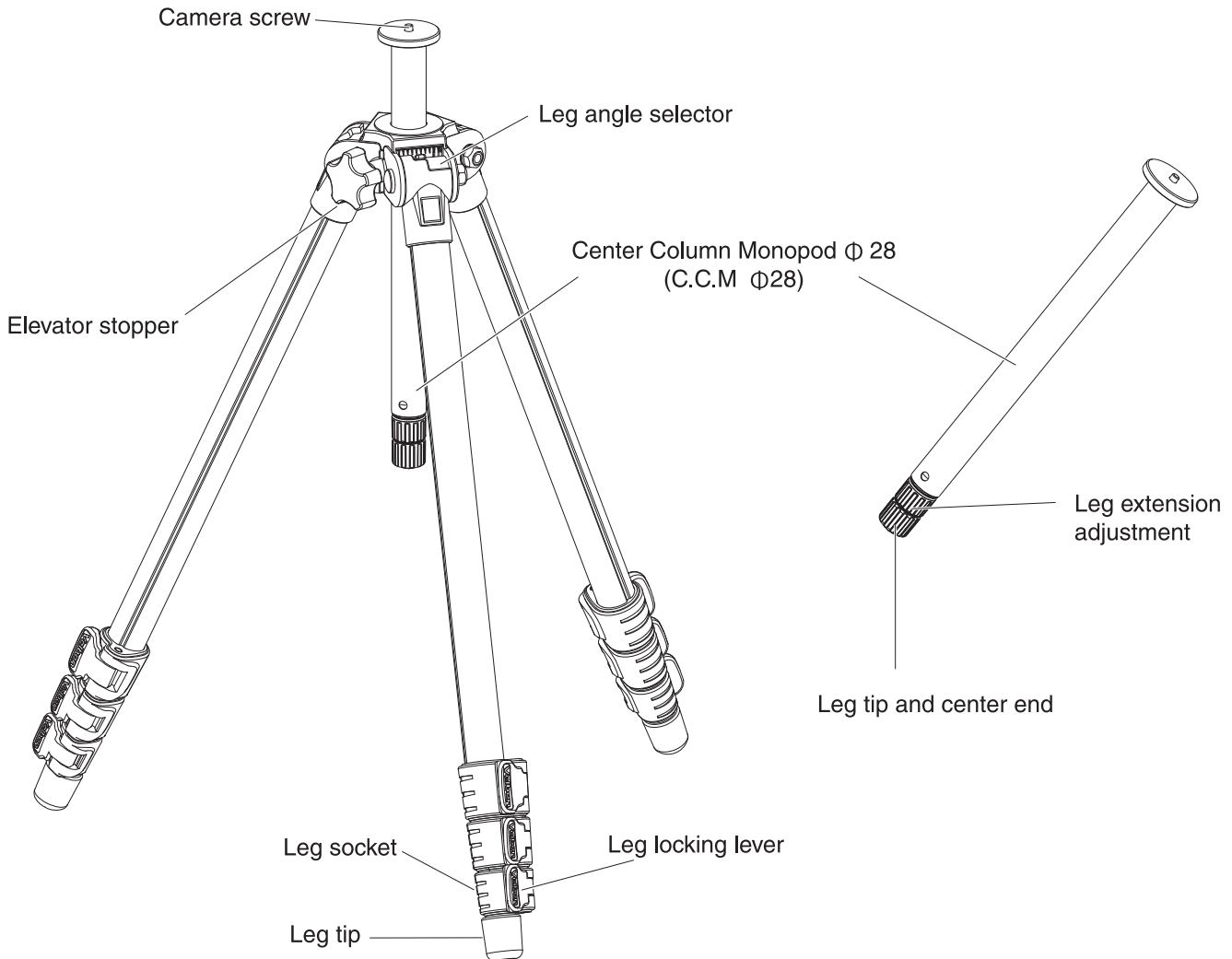


Identification of main parts

Thank you very much for choosing Velbon tripod.
Please carefully read this manual before starting use so that you can handle this product correctly.

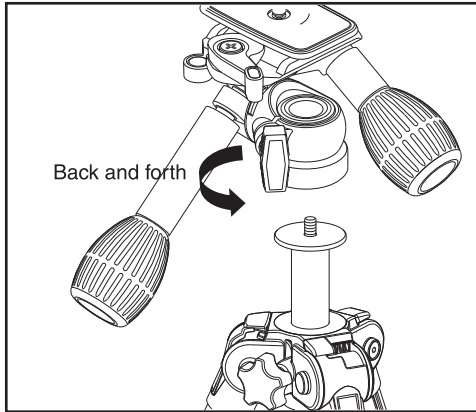


When moving from place to place, please ensure you detach your camera from the tripod, otherwise movement could cause your camera to detach and fall to be damaged.

※ The manufacturer reserves the right to change specifications, design, and size without prior notice.

Specifications	SUB-65	Specifications	Center Column Monopod Φ 28
Full.Extend	1,530mm(60.24in.)	Extended height	1552mm(61.10in.)
EV slide	295mm(11.61in.)	Closed length	380mm(14.96in.)
Mini. Height	114mm(4.49in.)	Diameter of leg sections	28/24/21/18/15mm(1.10/0.94/0.83/0.71/0.59in.)
Folded Length	424mm(16.69in.)	No. of Leg sections	5
Diameter of pipe	20/17.2/14.4/11.6mm(0.79/0.68/0.57/0.46in.)	Weight	345g(0.76lbs.)
Section	4	Ideal load	3000g(6.61lbs)
Weight	877g(1.93lbs.)	Camera screw	1/4-20
Suggested Loading Weight	1,500g(3.31lbs.)	Diameter of pedestal	50mm(1.97in.)

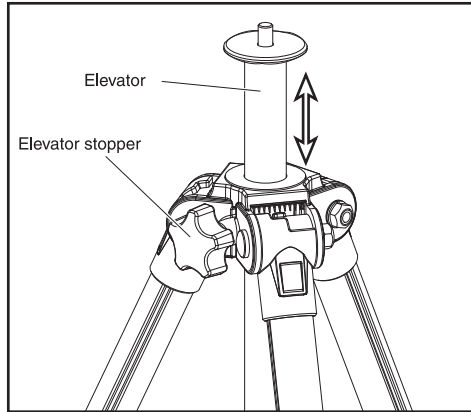
1. How to change panhead



When changing panhead, tighten all the stoppers such as Panning handle, Side tilting handle, Panning stopper and Elevator stopper firmly. Then turn the whole panhead anti-clockwise and detach it from tripod. Other panheads such as ball socket head can be set up.

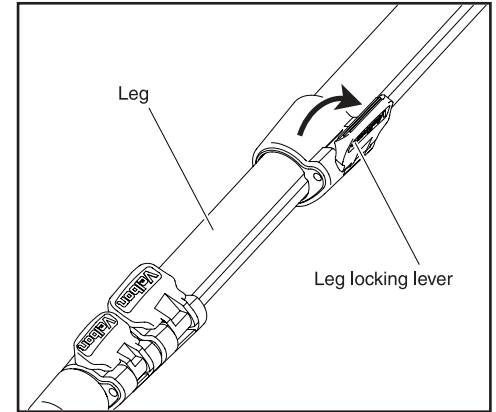
※ Tripod screw socket=UNIC1/4

2. How to use the Elevator



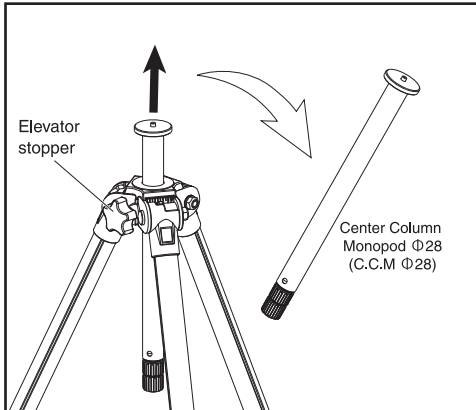
Unlocking Elevator stopper, extend the Elevator to the desired height. Then lock the Elevator stopper. Hold the Elevator tightly while extending or closing down otherwise it may suddenly come down to damage your camera or harm your fingers. Be careful.

3. Extension of the Legs



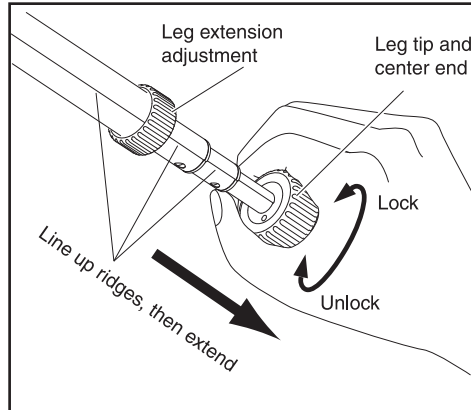
Flip up the Leg locking lever by the Thumb of the right hand. Then extending or folding the leg to the desired length, then Locking the Lever tighten firmly. Use upper Leg section when using in the middle way of the whole length. Upper Legs have thicker pipes to give stability better than that from the lower Legs.

4. How to use the Center Column Monopod Φ28



Unlocking elevator stopper, then the whole unit can be removed to be used as a monopod.

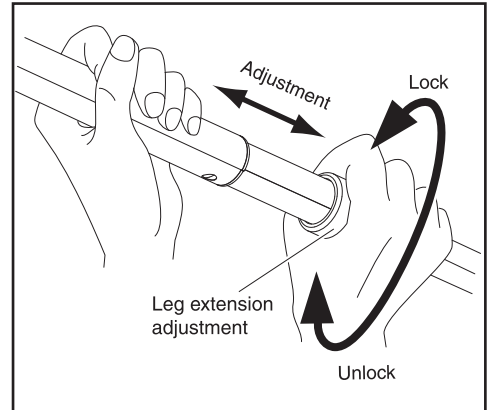
5. How to extend leg and lock



In order to extend each leg, grip the Leg tip with one hand and twist anti-clockwise to unlock. Extend leg sections smoothly until fully extended, then twist Leg tip clockwise to lock. To retract leg, repeat process in reverse order.

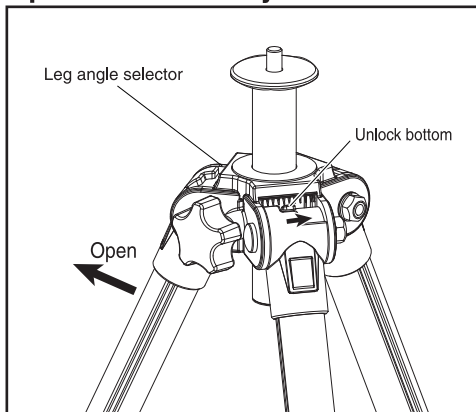
⚠ When holding Leg tip, do not soil your hands. Do not pinch your fingers and hands between Leg tip and legs.
When setting up your equipments on Monopod, make sure that strength of leg-locking is good enough by suppressing from top of the Monopod.

6. How to adjust length of leg

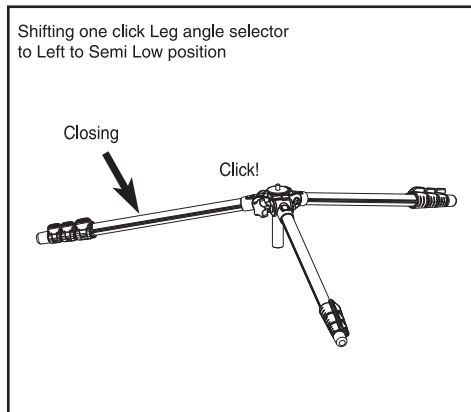


In order to adjust length of leg, hold Adjustment grip of second leg and unlock by rotating it anti-clockwise. Then extend leg and find desired length. Then lock it by rotating leg by clockwise firmly.

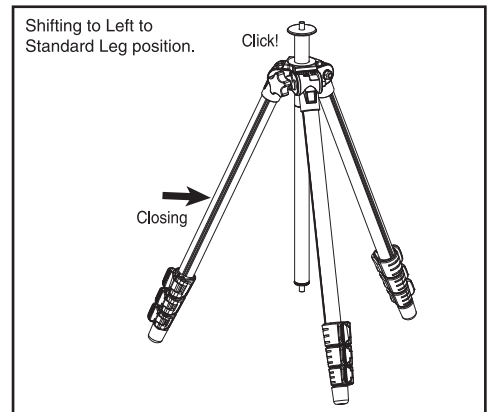
Optional accessory to have low angle solution



There is an optional short type center column unit (On purchasing). Unlocking elevator stopper and remove center column monopod. Then install the short size center column so that you may use low angle function of the tripod. Slide the leg angle selector to the end then open legs to the full low angle position. In case you cancel leg spread span, push back legs to the original position.



Leg angle selector moves to full low position firstly then comes back to semi-low position and standard leg position gradually. There are 2 stops between full low position and standard position.



While closing leg angles by 2 steps, you may hear the click noise one by one. Please make sure if each leg back to the desired leg angle position. Legs can be adjusted independently for fit with ground condition.